

Copyright © 2018 by Big Bike Parts, Inc. No part of this instruction sheet may be reproduced without the written permission of Big Bike Parts, Inc.

PART NO. 52-933U

WIND DEFLECTOR-UPPER

FITMENT: HONDA GOLDWING/GOLDWING TOUR 2018-NEWER

3/15/2019

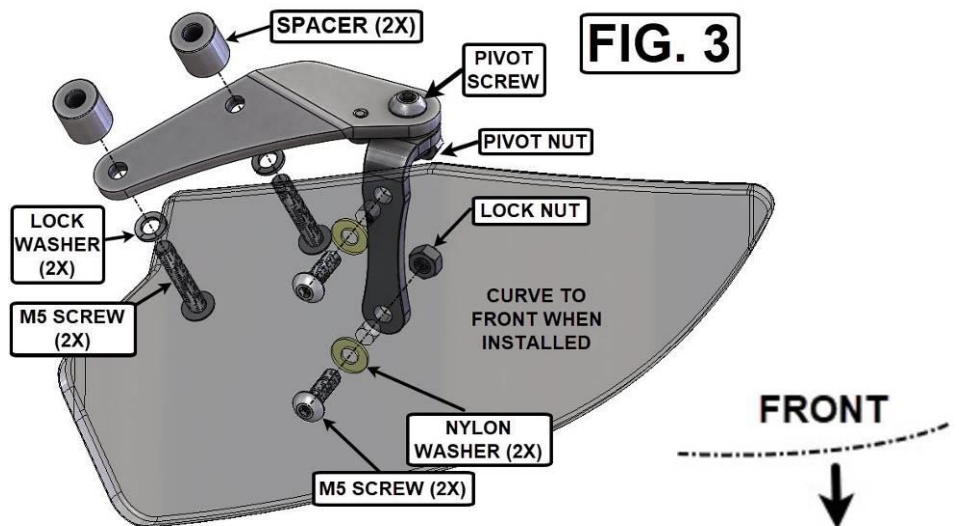
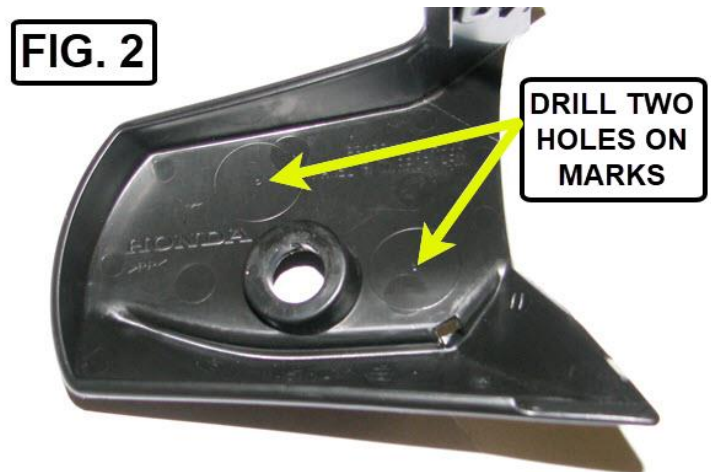
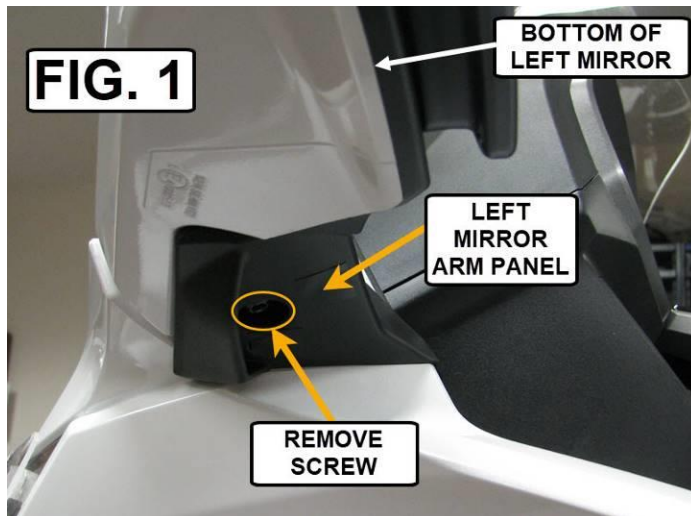
TOOLS NEEDED:	5MM ALLEN WRENCH	DRILL	1/8" DRILL BIT	5/8" DRILL BIT	3MM ALLEN WRENCH
	10MM WRENCH	8MM WRENCH	4MM ALLEN WRENCH		

PLEASE READ THROUGH AND UNDERSTAND THESE INSTRUCTIONS BEFORE BEGINNING.

ESTIMATED INSTALLATION TIME: 60 TO 90 MIN.

INSTALLATION:

1. STARTING ON THE LEFT SIDE USE A 5MM ALLEN WRENCH TO REMOVE THE SCREW HOLDING THE LEFT MIRROR ARM PANEL (FIG. 1).
2. REMOVE THE LEFT MIRROR ARM PANEL BY PULLING STRAIGHT DOWN SLIGHTLY AND BACK TO RELEASE THE TABS.
3. LOCATE THE TWO MARKS SHOWN IN FIG. 2 ON THE INSIDE OF THE PANEL AND DRILL A 1/8" PILOT HOLE CENTERED ON EACH MARK SHOWN.
4. DRILL OUT THE TWO PILOT HOLES USING A 5/8" DRILL BIT AND REMOVE ANY BURRS.
5. REINSTALL THE LEFT MIRROR ARM PANEL BACK ON THE BIKE AND SECURE IT WITH THE ALLEN SCREW YOU REMOVED.
6. ASSEMBLE THE LEFT WIND DEFLECTOR ASSEMBLY ACCORDING TO FIG. 3.
7. TIGHTEN THE PIVOT SCREW DOWN ON THE MOUNT (FIG. 3). THEN TIGHTEN THE PIVOT NUT TIGHT ENOUGH TO HOLD THE WIND DEFLECTOR IN PLACE WHILE STILL BEING ABLE TO PIVOT OR ADJUST THE WIND DEFLECTOR ANGLE WHILE RIDING.
8. INSTALL THE WIND DEFLECTOR ASSEMBLY TO THE MIRROR USING THE TWO LONG M5 SCREWS, LOCK WASHERS, AND SPACERS. (SPACERS AND LONG SCREWS WILL PASS THROUGH THE TWO HOLES DRILLED IN THE LEFT MIRROR ARM PANEL)
9. REPEAT ON RIGHT SIDE.



NOTICE

IGNORING THE CONTENTS OF THESE INSTRUCTIONS MAY AFFECT THE PRODUCT PERFORMANCE AND FUNCTIONALITY. NOT FOLLOWING THESE INSTRUCTION MAY CAUSE DAMAGE TO THE PRODUCT OR THE VEHICLE TO WHICH IT IS BEING ATTACHED.